

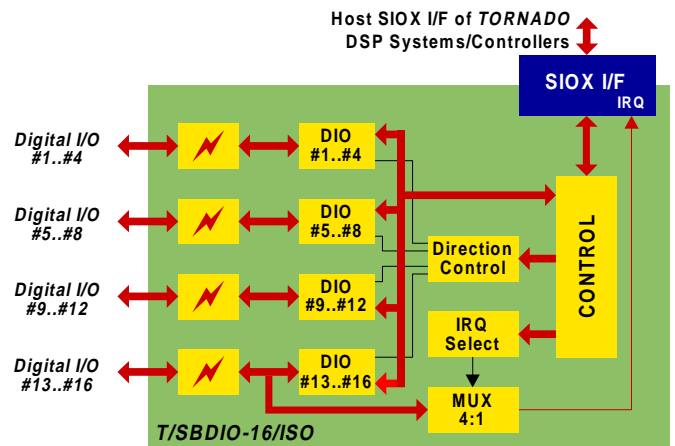
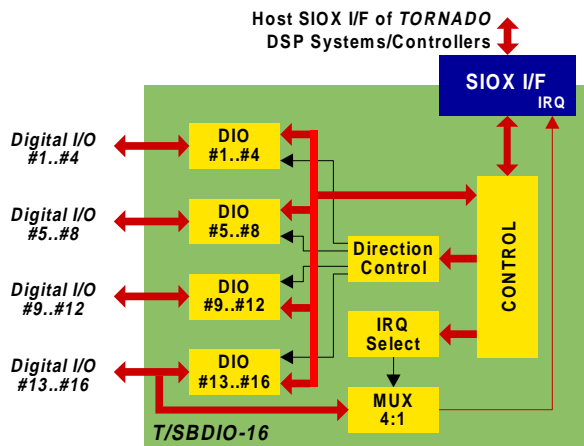
### features

- compact SIOX rev.B DCMs communicate with host TORNADO DSP via serial port
- 16-bit programmable digital I/O
- opto-isolated I/O (T/SBDIO-16/ISO)
- host SIOX interrupt request generation

- SIOX-bus support with up to 8 DCMs per one DSP serial port

### applications

- instrumentation
- industrial control



## Technical Specifications

<i>digital I/O bits</i>	16 I/O direction is programmed for each four bits
<i>I/O signal level</i>	TTL @3.2mA
<i>I/O isolation voltage</i>	1.5kV (T/SBDIO-16/ISO)
<i>I/O settling time</i>	15ns (T/SBDIO-16) 200ns (T/SBDIO-16/ISO)
<i>host TORNADO I/F</i>	SIOX rev.B with SIO-0 port used
<i>host SIOX interrupt requests</i>	IRQ-0, IRQ-1, IRQ-2 (jumper selectable)