

Speech/Fax/Modem SIOX DCM

SIOX AD/DA Daughter-card Modules with Telephone I/F Options
for TORNADO DSP Systems/Controllers for Speech/Fax/Modem Applications

covers:
T/SDAS-SCOM1, T/SDAS-SCOM2, T-X/XTLI, T-X-XTSI

general features

- compact SIOX DCMs (T/SDAS-SCOM1 and T/SDAS-SCOM2) fit to TORNADO SIOX rev.B site
- single-channel (T/SDAS-SCOM1) and dual-channel (T/SDAS-SCOM2) configurations
- each channel of T/SDAS-SCOM1 and T/SDAS-SCOM2 SIOX DCMs connects to either external Line/MIC/Phones set, or to external Telephone Line I/F (T/X-XTLI) or to external telephone station I/F (T/X-XTSI)
- ideal for speech/fax/modem applications with optional telephone line/equipment interfacing

T/SDAS-SCOM1 and T/SDAS-SCOM2 SIOX DCM features

- each A/D channel comprises of 14-bit ADC (THD= -65dB), programmable low-pass anti-aliasing filter, high-pass filter and PGA
- each D/A channel comprises of 14-bit DAC (THD= -65dB), programmable low-pass anti-aliasing filter and SIN(X)/X reconstruction filter
- programmable sampling frequency up to 24 kHz with instant phase adjustment
- line and microphone input mux for each A/D channel
- line and phone outputs for each D/A channel
- two digital input and two digital outputs per every AD/DA channel

T/X-XTLI and T/X-XTSI features

- external options for T/SDAS-SCOM1 and T/SDAS-SCOM2 SIOX DCMs
- connect any AD/DA channel of T/SDAS-SCOM1 and T/SDAS-SCOM2 SIOX DCMs to either PSTN phone line (T/X-XTLI) or to local telephone equipments (T/X-XTSI)
- meet and exceed FCC, DOC and other requirements
- V34/Fast 56kbps compatible

software tools

- Hypersignal RIDE DSP algorithm development & simulation IDE
- demo samples

applications

- vocoders/fax/modem
- speech recognition
- PSTN and telephone equipment interfacing
- answering machines and office phone-menus
- automatic speech/fax/modem PSTN recorders
- speech/fax/modem encryption
- low-cost instrumentation



T/SDAS-SCOM1 SIOX DCM



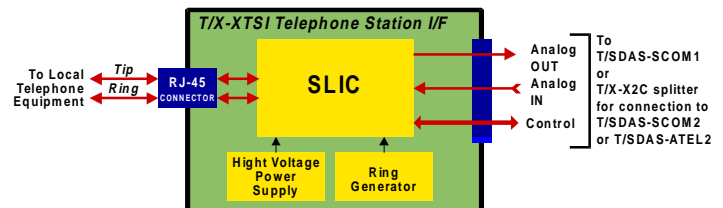
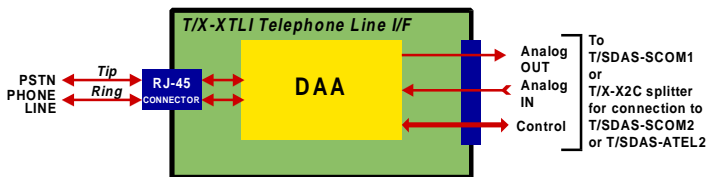
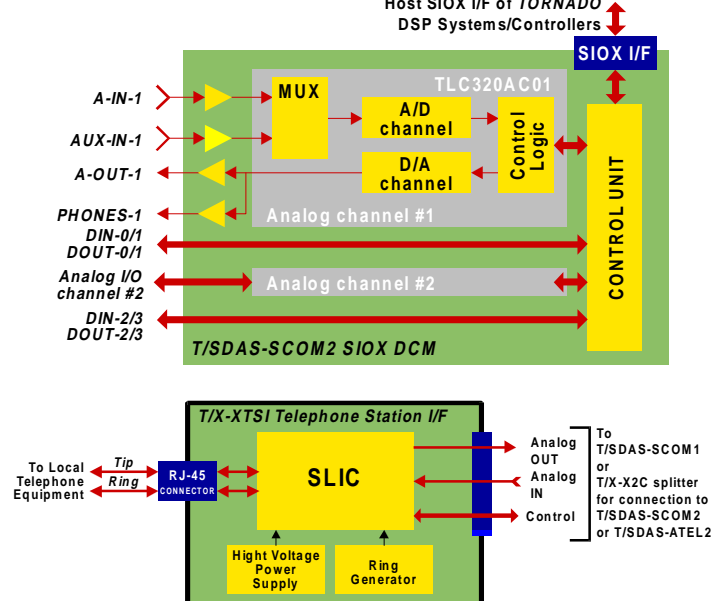
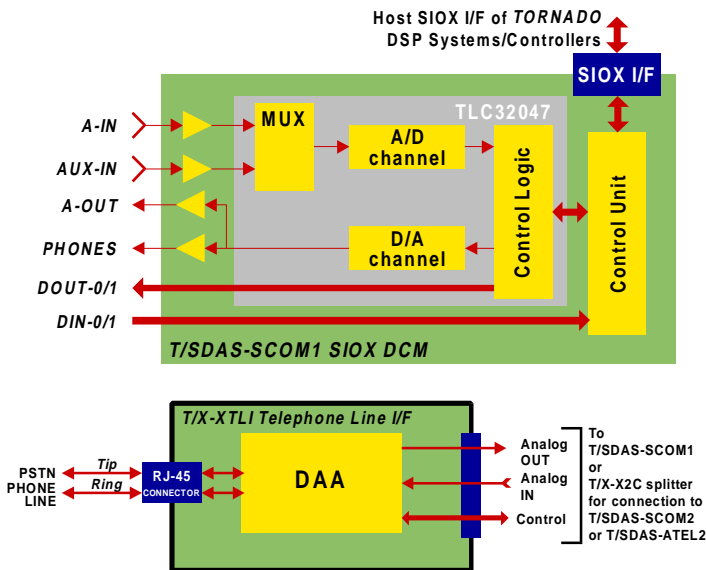
T/SDAS-SCOM2 SIOX DCM



T/X-XTLI Telephone Line I/F



T/X-XTSI Telephone Station I/F



Technical Specifications for T/SDAS-SCOM1 and T/SDAS-SCOM2 DCM

<i>number of AD/DA channels</i>	1 (T/SDAS-SCOM1) 2 (T/SDAS-SCOM2)
<i>A/D resolution</i>	14 bits (A/D section of TLC32047 for T/SDAS-SCOM1 and A/D section of TLC320AC01 for T/SDAS-SCOM2)
<i>A/D THD</i>	-65dB typ (T/SDAS-SCOM1) -68dB typ (T/SDAS-SCOM2)
<i>input A/D signal range</i>	T/SDAS-SCOM1: A-IN: $\pm 1.5v, \pm 3v, \pm 6v$ @ 1 MOhm AUX-IN: $\pm 0.15v, \pm 0.3v, \pm 0.6v, \pm 1.5v, \pm 3v, \pm 6v$ @ 1 MOhm T/SDAS-SCOM2: A-IN: $\pm 0.75v, \pm 1.5v, \pm 3v$ @ 1 MOhm AUX-IN: $\pm 0.015v, \pm 0.15v, \pm 0.3v, \pm 0.75v, \pm 1.5v, \pm 3v$ @ 1 MOhm
<i>A/D channel filters</i>	low-pass programmable anti-aliasing filter optional high-pass 300Hz filter
<i>D/A resolution</i>	14 bits (D/A section of TLC32047 for T/SDAS-SCOM1 and D/A section of TLC320AC01 for T/SDAS-SCOM2)
<i>D/A THD</i>	-65dB typ (T/SDAS-SCOM1) -68dB typ (T/SDAS-SCOM2)
<i>output D/A signal range</i>	T/SDAS-SCOM1: A-OUT: $\pm 3v/SE, \pm 6v/DIFF$ @ 600 Ohm SPEAKER/PHONES-OUT: $\pm 4v$ @ 8 Ohm T/SDAS-SCOM2: A-OUT: $\pm 0.75v, \pm 1.5v, \pm 3v$ @ 600 Ohm SPEAKERS/PHONES-OUT: $\pm 1v, \pm 2v, \pm 4v$ @ 8 Ohm
<i>D/A channel filters</i>	low-pass programmable anti-aliasing filter SIN(X)/X reconstruction filter
<i>sampling frequency</i>	24 kHz max with instant phase adjustment. All standard fax/modem baud rates are available.
<i>digital I/O levels</i>	TTL @3.2mA
<i>host TORNADO I/F</i>	SIOX rev.B with SIO-0 port used

Technical Specifications for T/X-XTLI and T/X-XTSI External Telephone I/F Options

<i>host connection method</i>	connects as external option to T/SDAS-SCOM1 or to any channel of T/SDAS-SCOM2 and T/SDAS-ATEL2 via dual-channel splitter T/X-X2C
<i>available functions</i>	T/X-XTLI: detects incoming ring, programmable pick-up the phone T/X-XTLI: programmable outgoing ring, line battery, detects line pick-up
<i>compatible modem communication</i>	V34/Fast
<i>external line/equipment connector</i>	RJ-45
<i>applicable PSTN standards</i>	FCC, DOC

TORNADO-3x, TORNADO-4x, TORNADO-54x, TORNADO-6x, TORNADO-P6x, TORNADO-P3x, TORNADO-P54x, TORNADO-E/EL, TORNADO-PX, TORNADO-SX, MIRAGE-510DX, UECMX, MX-Link, PIOX, PIOX-16, SIOX are trademarks of MicroLAB Systems Ltd. All other products and company names used are trademarks of their respective holders.